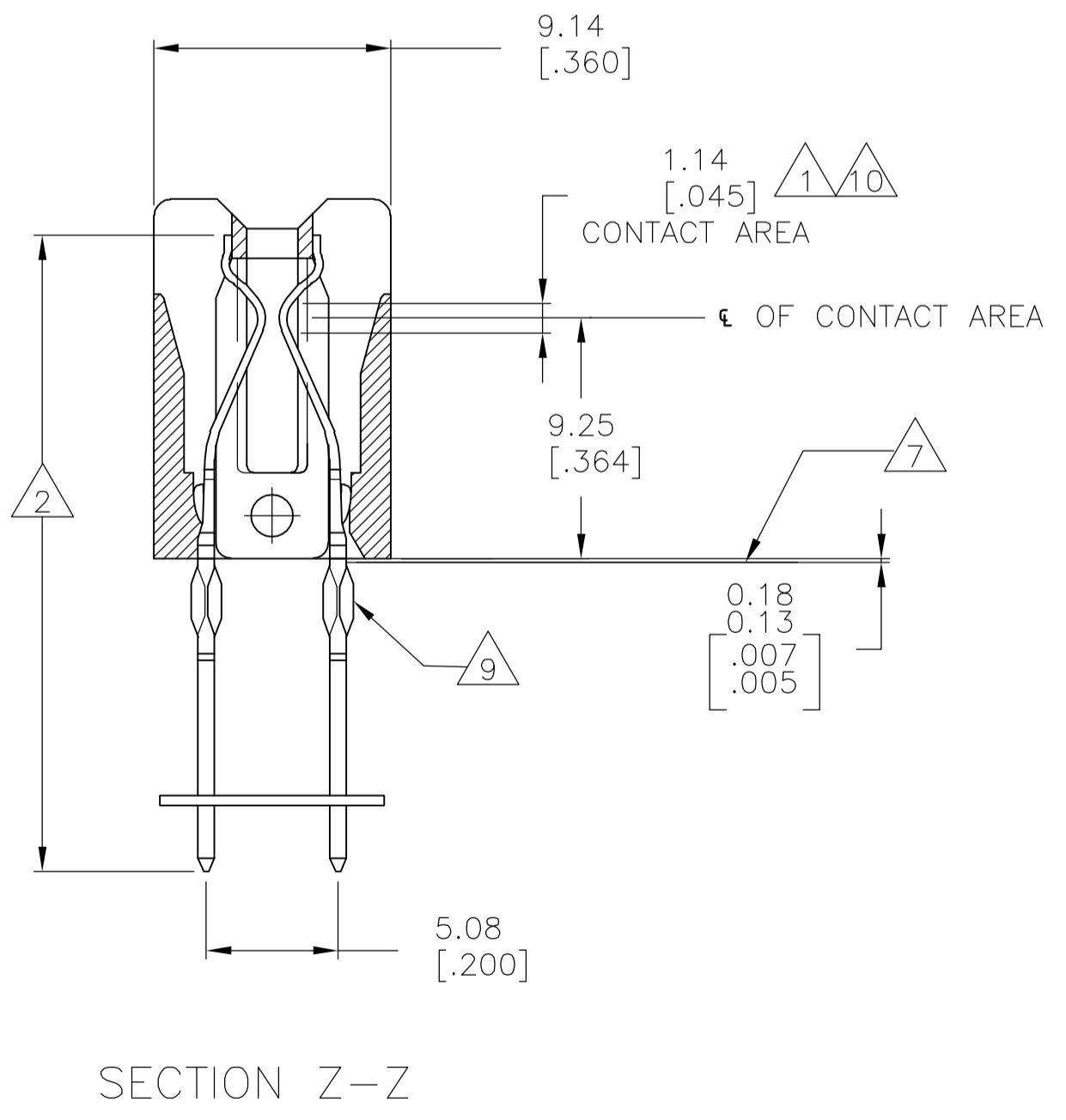
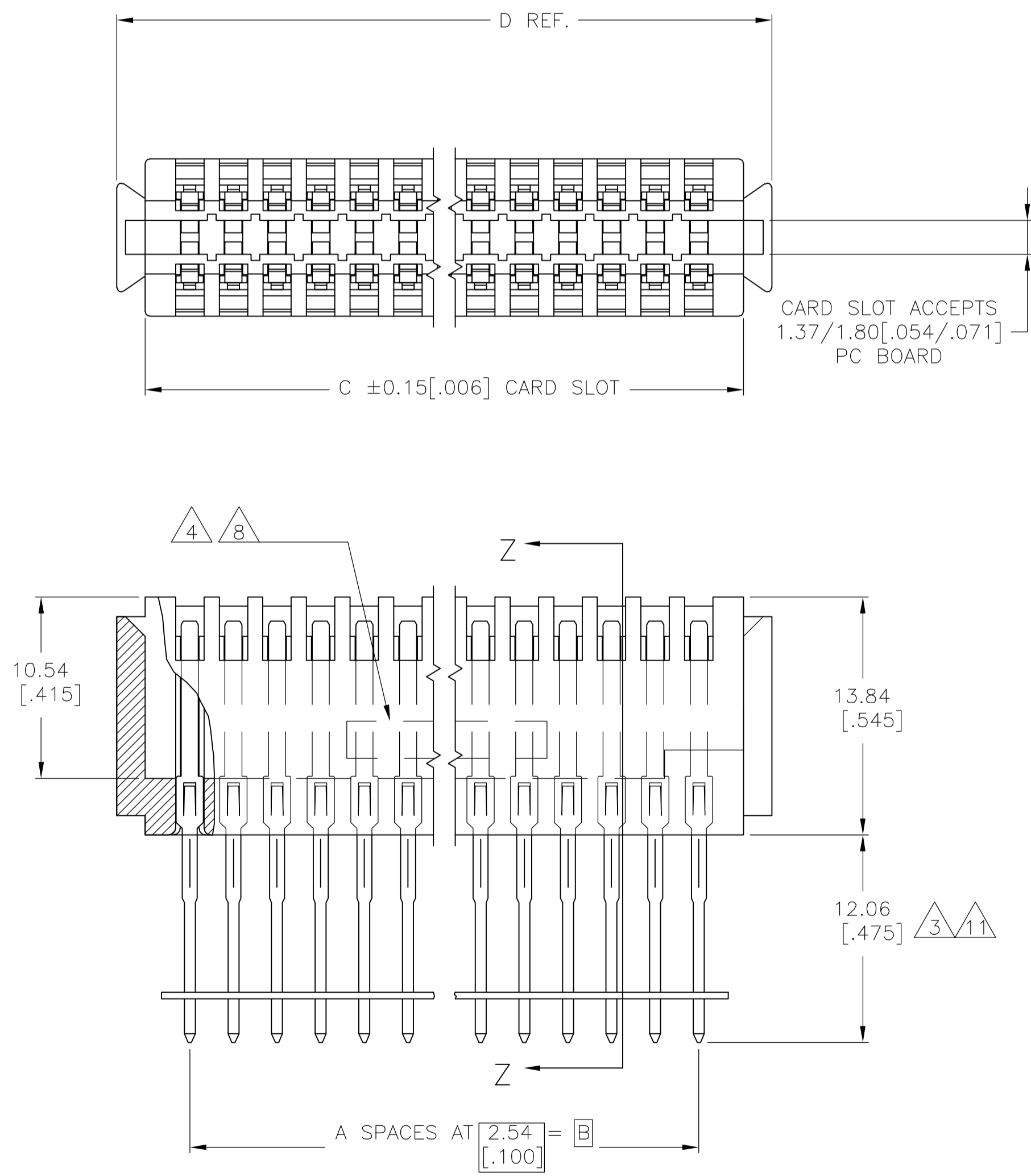


- 1 GOLD PLATE .00076 [.000030] MIN. THICK.
- 2 NICKEL PL. .00127 [.000050] MIN. THK. PER QQ-N-290.
- 3 TIN PL. .00254 [.000100] MIN. THK.
- 4 STAMPED P/N & DATE CODE.
- 5 OPTIONAL: KEYING PLUG FOR INTERCONTACT KEYING IS 118982-1.
- 6 OPTIONAL: CARD GUIDE (BASE NO 117169).
- 7 TOP SURFACE OF P.C.BOARD AFTER APPLICATION DUE TO MYLAR THICKNESS.
- 8 ALL PARTS ASSEMBLED IN MEXICO MUST BE STAMPED "ASSY. IN MEXICO". THE WORD "MEXICO" CAN BE SUBSTITUTED ONLY WHERE PART SIZE PROHIBITS STAMPING "ASSY IN MEXICO", INK PER 115-9009, APPROX. WHERE SHOWN, SIDE OPTIONAL.
- 9 ACTION PIN REQUIRES 2.31 [.084] MIN. THK. P.C. BOARD.

REQ'D DRILL SIZE	HOLE DIA ±.03 [.001]	REQUIRED HOLE DIAMETER TOLERANCES FOR COMPLIANT SECTION				COPPER HARDNESS (KNOOP)	PAD DIA MIN.
		PLATING THICKNESS		HOLE DIAMETER			
		COPPER	TIN/LEAD	AFTER PLATING	AFTER REFLOW		
1.15mm	1.15 [.0453]	0.03-0.08 [.001-.003]	0.008 MIN. [.0003] MIN.	0.94-1.09 [.037-.043]	0.914-1.09 [.0036-.043]	150 MAX.	1.57 [.062]
1.15mm	1.15 [.0453]	NOT PLATED THRU.					1.65 [.065]

- 10 GOLD PL. .00076 [.000030] MIN. THICK.
- 11 MATTE TIN PL. .00254 [.000100] MIN. THK.

150.72	[5.934]	147.42	[5.804]	142.24	[5.600]	56	57	9-119216-3
140.56	[5.534]	137.26	[5.404]	132.08	[5.200]	52	53	8-119216-9
132.94	[5.234]	129.64	[5.104]	124.46	[4.900]	49	50	8-119216-6
130.40	[5.134]	127.10	[5.004]	121.92	[4.800]	48	49	8-119216-5
117.70	[4.634]	114.40	[4.504]	109.22	[4.300]	43	44	8-119216-0
107.54	[4.234]	104.24	[4.104]	99.06	[3.900]	39	40	7-119216-6
97.38	[3.834]	94.08	[3.704]	88.90	[3.500]	35	36	7-119216-2
94.84	[3.734]	91.54	[3.604]	86.36	[3.400]	34	35	7-119216-1
92.30	[3.634]	89.00	[3.504]	83.82	[3.300]	33	34	7-119216-0
82.14	[3.234]	78.84	[3.104]	73.66	[2.900]	29	30	6-119216-6
61.82	[2.434]	58.52	[2.304]	53.34	[2.100]	21	22	5-119216-8
160.88	[6.334]	157.58	[6.204]	152.40	[6.000]	60	61	4-119216-7
158.34	[6.234]	155.04	[6.104]	149.86	[5.900]	59	60	4-119216-6
155.80	[6.134]	152.50	[6.004]	147.32	[5.800]	58	59	4-119216-5
153.26	[6.034]	149.96	[5.904]	144.78	[5.700]	57	58	4-119216-4
150.72	[5.934]	147.42	[5.804]	142.24	[5.600]	56	57	4-119216-3
148.18	[5.834]	144.88	[5.704]	139.70	[5.500]	55	56	4-119216-2
145.64	[5.734]	142.34	[5.604]	137.16	[5.400]	54	55	4-119216-1
143.10	[5.634]	139.80	[5.504]	134.62	[5.300]	53	54	4-119216-0
140.56	[5.534]	137.26	[5.404]	132.08	[5.200]	52	53	3-119216-9
138.02	[5.434]	134.72	[5.304]	129.54	[5.100]	51	52	3-119216-8
135.48	[5.334]	132.18	[5.204]	127.00	[5.000]	50	51	3-119216-7
132.94	[5.234]	129.64	[5.104]	124.46	[4.900]	49	50	3-119216-6
130.40	[5.134]	127.10	[5.004]	121.92	[4.800]	48	49	3-119216-5
127.86	[5.034]	124.56	[4.904]	119.38	[4.700]	47	48	3-119216-4
125.32	[4.934]	122.02	[4.804]	116.84	[4.600]	46	47	3-119216-3
122.78	[4.834]	119.48	[4.704]	114.30	[4.500]	45	46	3-119216-2
120.24	[4.734]	116.94	[4.604]	111.76	[4.400]	44	45	3-119216-1
117.70	[4.634]	114.40	[4.504]	109.22	[4.300]	43	44	3-119216-0
115.16	[4.534]	111.86	[4.404]	106.68	[4.200]	42	43	2-119216-9
112.62	[4.434]	109.32	[4.304]	104.14	[4.100]	41	42	2-119216-8
110.08	[4.334]	106.78	[4.204]	101.60	[4.000]	40	41	2-119216-7
107.54	[4.234]	104.24	[4.104]	99.06	[3.900]	39	40	2-119216-6
105.00	[4.134]	101.70	[4.004]	96.52	[3.800]	38	39	2-119216-5
102.46	[4.034]	99.16	[3.904]	93.98	[3.700]	37	38	2-119216-4
99.92	[3.934]	96.62	[3.804]	91.44	[3.600]	36	37	2-119216-3
97.38	[3.834]	94.08	[3.704]	88.90	[3.500]	35	36	2-119216-2
94.84	[3.734]	91.54	[3.604]	86.36	[3.400]	34	35	2-119216-1
92.30	[3.634]	89.00	[3.504]	83.82	[3.300]	33	34	2-119216-0
89.76	[3.534]	86.46	[3.404]	81.28	[3.200]	32	33	1-119216-9
87.22	[3.434]	83.92	[3.304]	78.74	[3.100]	31	32	1-119216-8
84.68	[3.334]	81.38	[3.204]	76.20	[3.000]	30	31	1-119216-7
82.14	[3.234]	78.84	[3.104]	73.66	[2.900]	29	30	1-119216-6
79.60	[3.134]	76.30	[3.004]	71.12	[2.800]	28	29	1-119216-5
77.06	[3.034]	73.76	[2.904]	68.58	[2.700]	27	28	1-119216-4
74.52	[2.934]	71.22	[2.804]	66.04	[2.600]	26	27	1-119216-3
71.98	[2.834]	68.68	[2.704]	63.50	[2.500]	25	26	1-119216-2
69.44	[2.734]	66.14	[2.604]	60.96	[2.400]	24	25	1-119216-1
66.90	[2.634]	63.60	[2.504]	58.42	[2.300]	23	24	1-119216-0
64.36	[2.534]	61.06	[2.404]	55.88	[2.200]	22	23	119237-9
61.82	[2.434]	58.52	[2.304]	53.34	[2.100]	21	22	119216-8
59.28	[2.334]	55.98	[2.204]	50.80	[2.000]	20	21	119216-7
56.74	[2.234]	53.44	[2.104]	48.26	[1.900]	19	20	119216-6
54.20	[2.134]	50.90	[2.004]	45.72	[1.800]	18	19	119216-5
51.66	[2.034]	48.36	[1.904]	43.18	[1.700]	17	18	119216-4
49.12	[1.934]	45.82	[1.804]	40.64	[1.600]	16	17	119216-3
46.58	[1.834]	43.28	[1.704]	38.10	[1.500]	15	16	119216-2
44.04	[1.734]	40.74	[1.604]	35.56	[1.400]	14	15	119216-1



THIS DRAWING IS A CONTROLLED DOCUMENT.

DIMENSIONS: mm [INCHES]	TOLERANCES UNLESS OTHERWISE SPECIFIED:	DIN H. BAKERMANS 2/10/93	tyco Electronics	Tyco Electronics Corporation Harrisburg, Pa 17105-3608
0 PLC ± -	1 PLC ± -	CHK H. ROSE 9/2/94	APVD H. ROSE 9/2/94	NAME
2 PLC ± -	3 PLC ± ± 0.25 [.010]			CONNECTOR, AMP PACE . 100X.200
4 PLC ± -	ANGLES ± -			SIZE CASE CODE DRAWING NO
MATERIAL: HOUSING: VALOX 420 SED, BLACK CONTACTS: PHOSPHOR BRONZE STRIP: MYLAR, CLEAR	FINISH: 1 2 3 10 11			RESTRICTED TO
			WEIGHT: A1 00779 C=119216	CUSTOMER DRAWING SCALE 4:1 SHEET 1 OF 1 REV Y